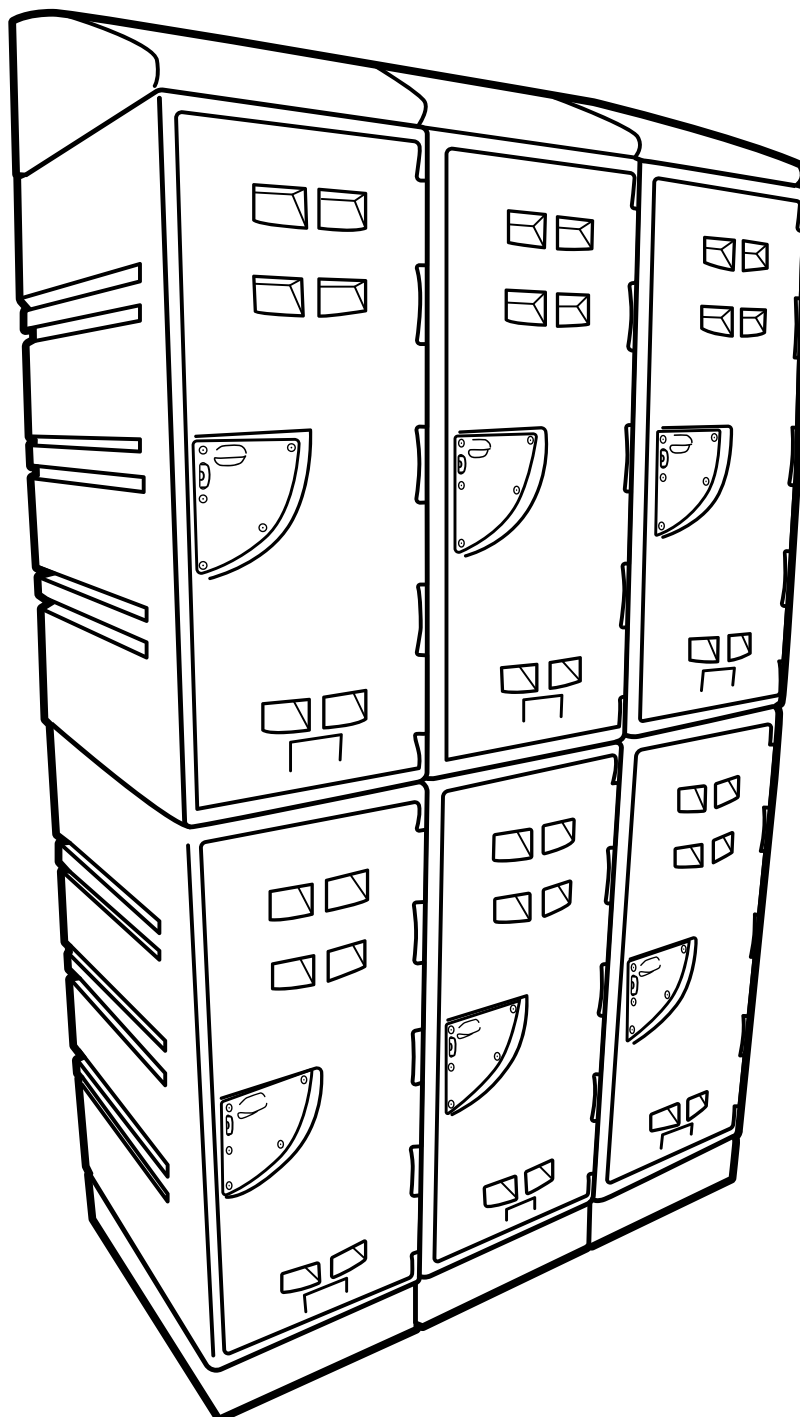


# LOCKER BANK.

---



# INSTALLATION GUIDE.

---

## **LOCKER INSTALLATION:**

**PLEASE READ CAREFULLY AND ENSURE ALL SAFETY PRECAUTIONS ARE FULLY CONSIDERED WHEN PLANNING YOUR DESIGN FOR THE INSTALLATION OF FSP LOCKERS, INCLUDING BUT NOT LIMITED TO:**

- 1 - EGRESS**
- 2 - ACCESS TO SERVICES**
- 3 - DRAINAGE**
- 4 - ELECTRICAL**
- 5 - FIRE SAFETY**
- 6 - VENTILATION IN CASE OF FIRE**
- 7 - POSITIONING TO HELP PREVENT FIRE SPREAD**

### **IN PARTICULAR:**

**DO NOT:** Block or impede exits, including doorways, lifts, stairwells, and passageways.

**DO NOT:** Impede pedestrian flow through.

**DO NOT:** Install over drainage grates.

**DO NOT:** Cover or obstruct manholes or service access areas.

**DO NOT:** Block electrical sub-boards or meter access.

**DO NOT:** Impede access to Fire safety equipment.

Including fire cabinets, fire extinguishers, fire hydrants and fire hose reels. Please ensure a clear passageway for suitable extension of fire hose.

### **LOCKERS INSTALLED IN OPEN OR NON-LOCKABLE ENVIRONMENTS; ESPECIALLY IF ARSON IS LIKELY:**

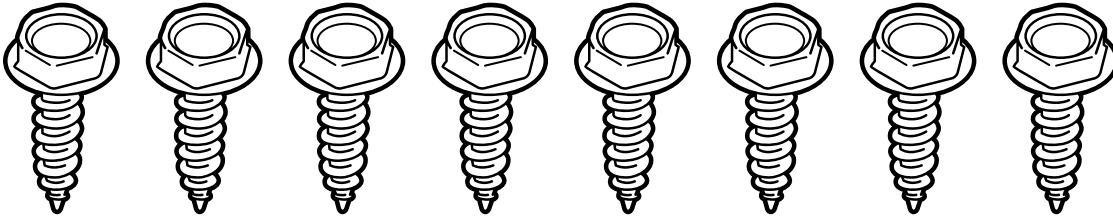
- Installations in external non-lockable areas possibly subject to arson should be adapted to allow adequate ventilation around lockers.
- Banks of lockers or lockers placed adjacent to other flammable materials should be installed with preferably a 13 feet distance to reduce the risk of fire spread
- We also recommend that individual locker doors be locked overnight, to help prevent materials inside from being used as fuel, and prevent fires being set within the locker compartment itself.

WHERE POSSIBLE HAVE LOCKERS CONTAINED WITHIN A SECURE, LOCKABLE OR NON-ACCESSIBLE AREA AFTER HOURS OR WHEN UNATTENDED.

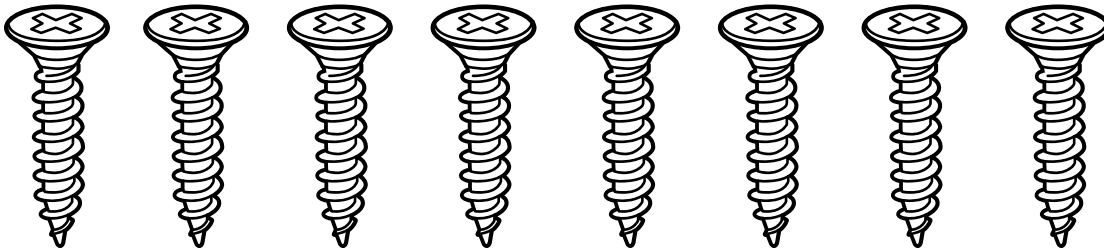
FOR FURTHER QUESTIONS OR QUERIES DO NOT HESITATE TO CONTACT US DIRECTLY.

## WHAT YOU WILL NEED:

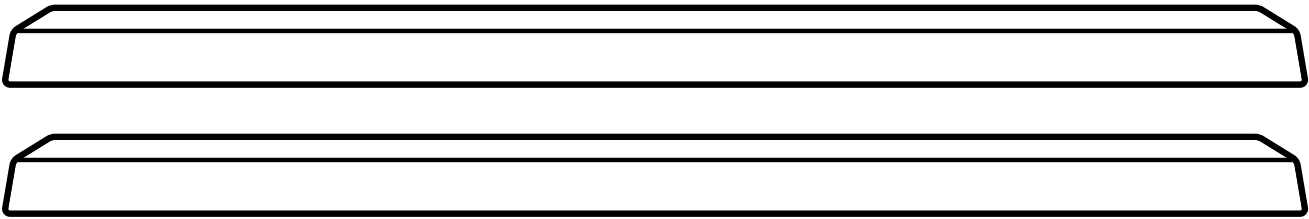
Hex Screws (10-12 x 3/4 inch)



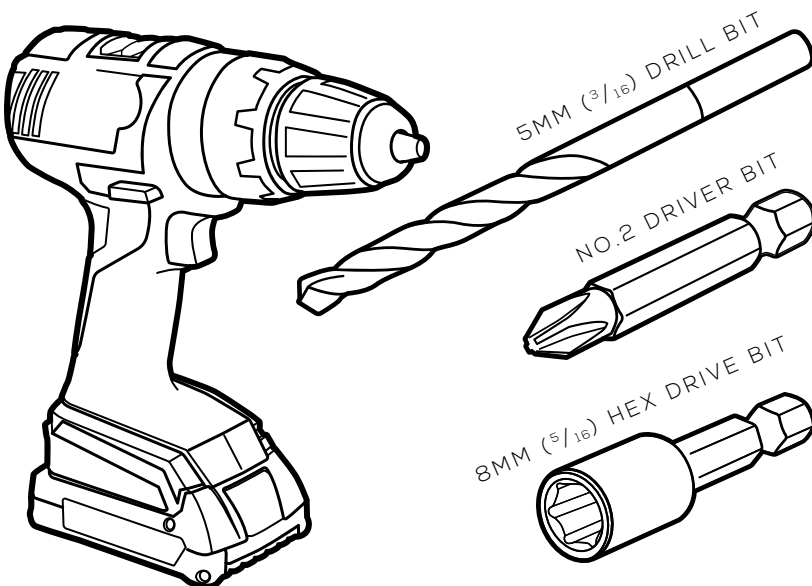
Countersunk Screws (10-8 x 1 1/4 inch)



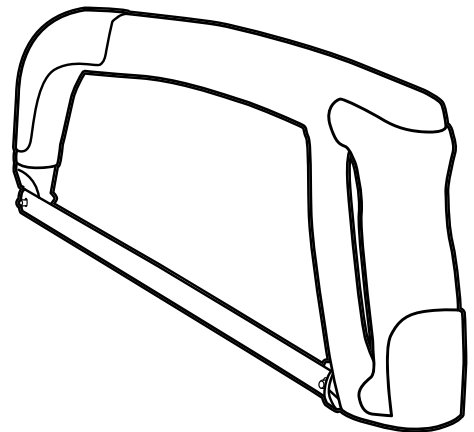
PVC Support Baton/s



Power Drill + Attachments



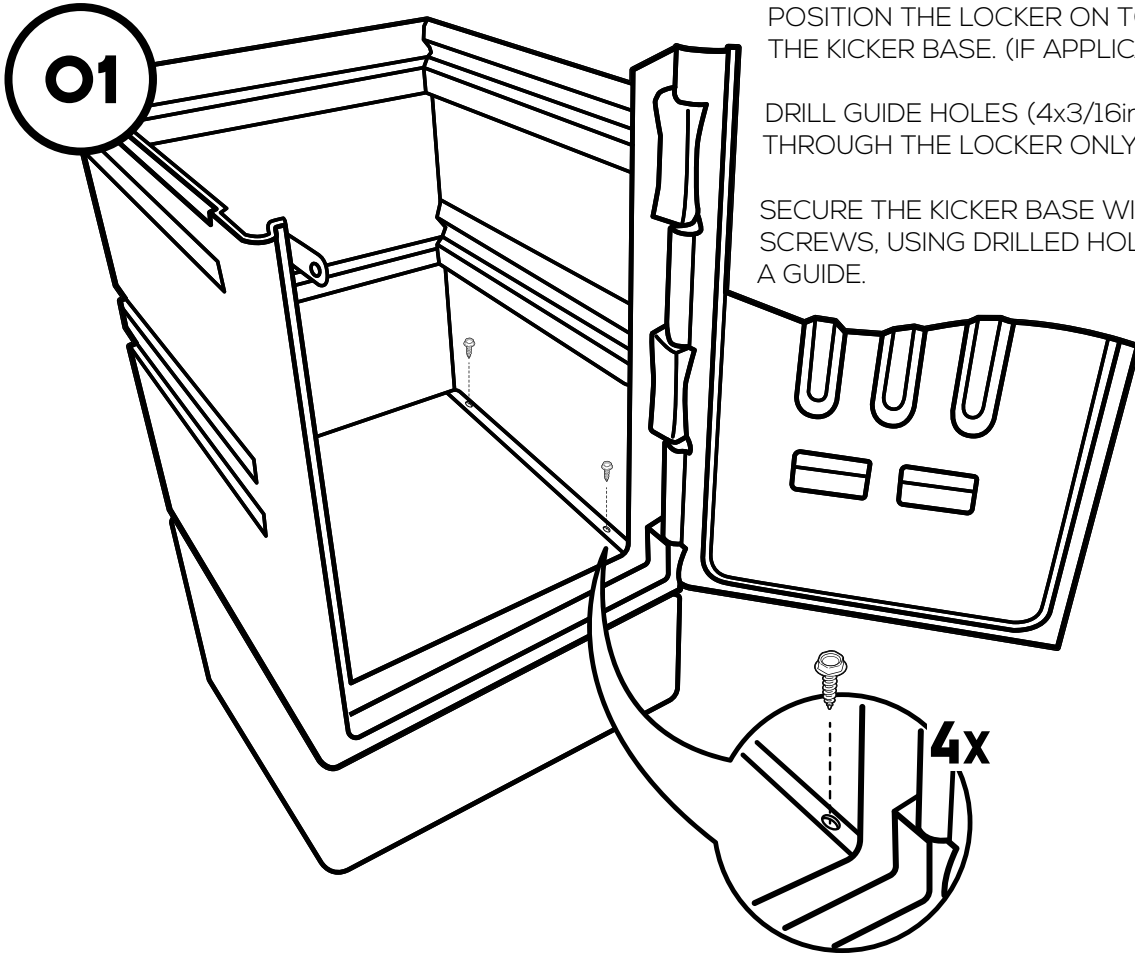
Hacksaw



### NOTE:

Quantity requirements will vary dependent on the amount and style of lockers you have chosen to purchase and assemble.

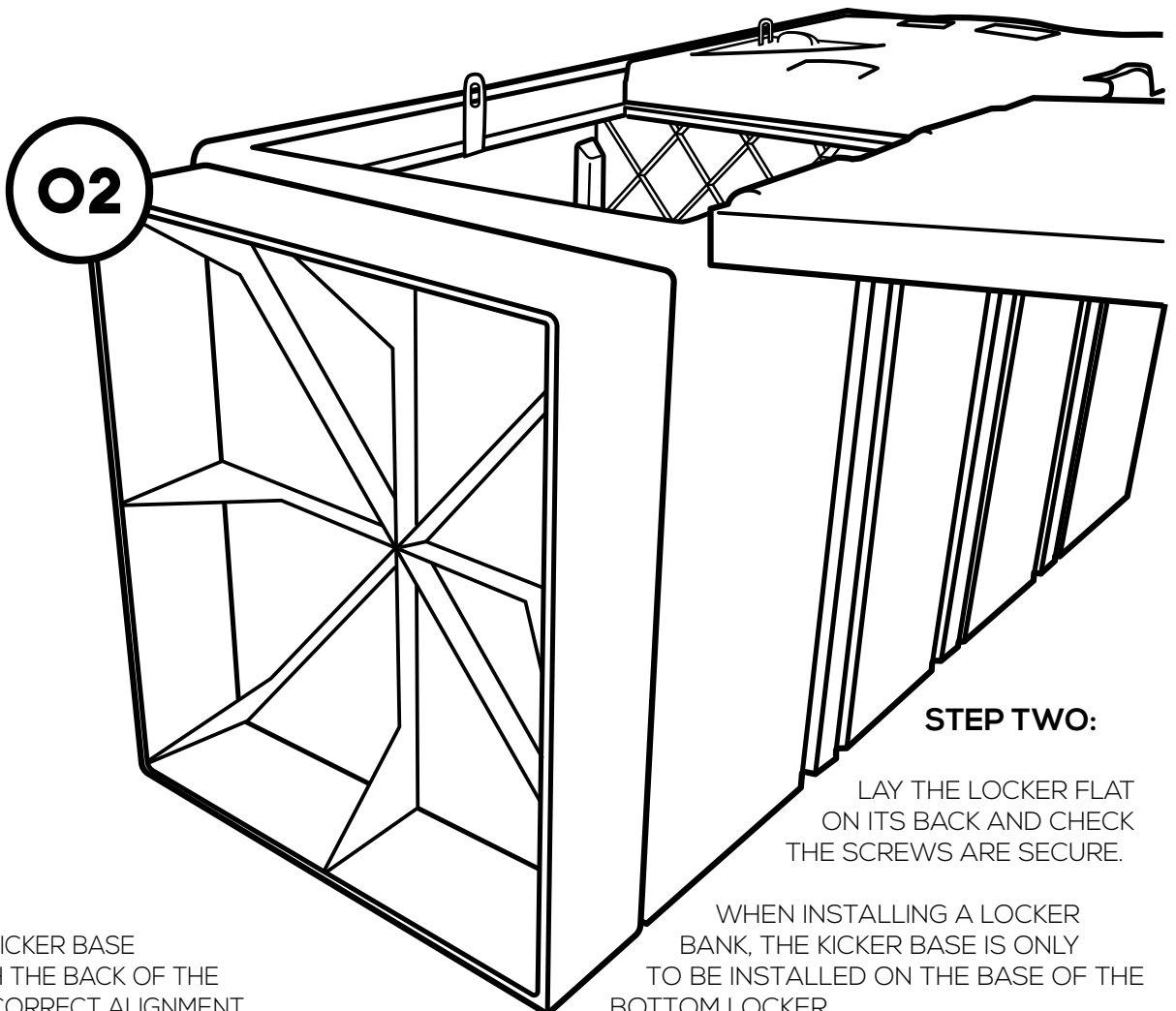
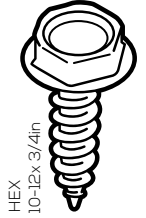
**STEP ONE:**



POSITION THE LOCKER ON TOP OF THE KICKER BASE. (IF APPLICABLE)

DRILL GUIDE HOLES (4x3/16in) THROUGH THE LOCKER ONLY.

SECURE THE KICKER BASE WITH SCREWS, USING DRILLED HOLES AS A GUIDE.



**STEP TWO:**

LAY THE LOCKER FLAT ON ITS BACK AND CHECK THE SCREWS ARE SECURE.

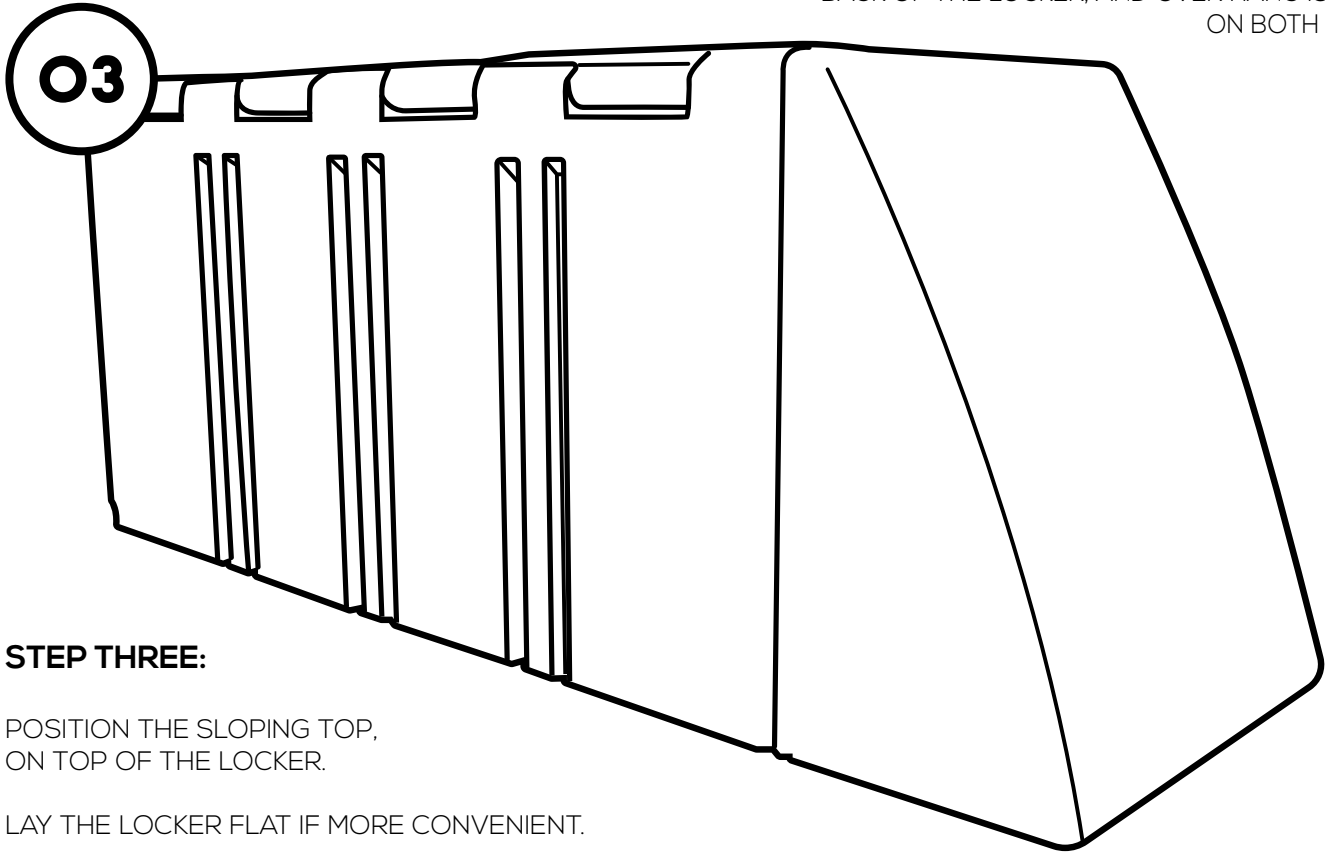
WHEN INSTALLING A LOCKER BANK, THE KICKER BASE IS ONLY TO BE INSTALLED ON THE BASE OF THE BOTTOM LOCKER.

**NOTE:**

ENSURE THE KICKER BASE IS FLUSH WITH THE BACK OF THE LOCKER FOR CORRECT ALIGNMENT.

**NOTE:**

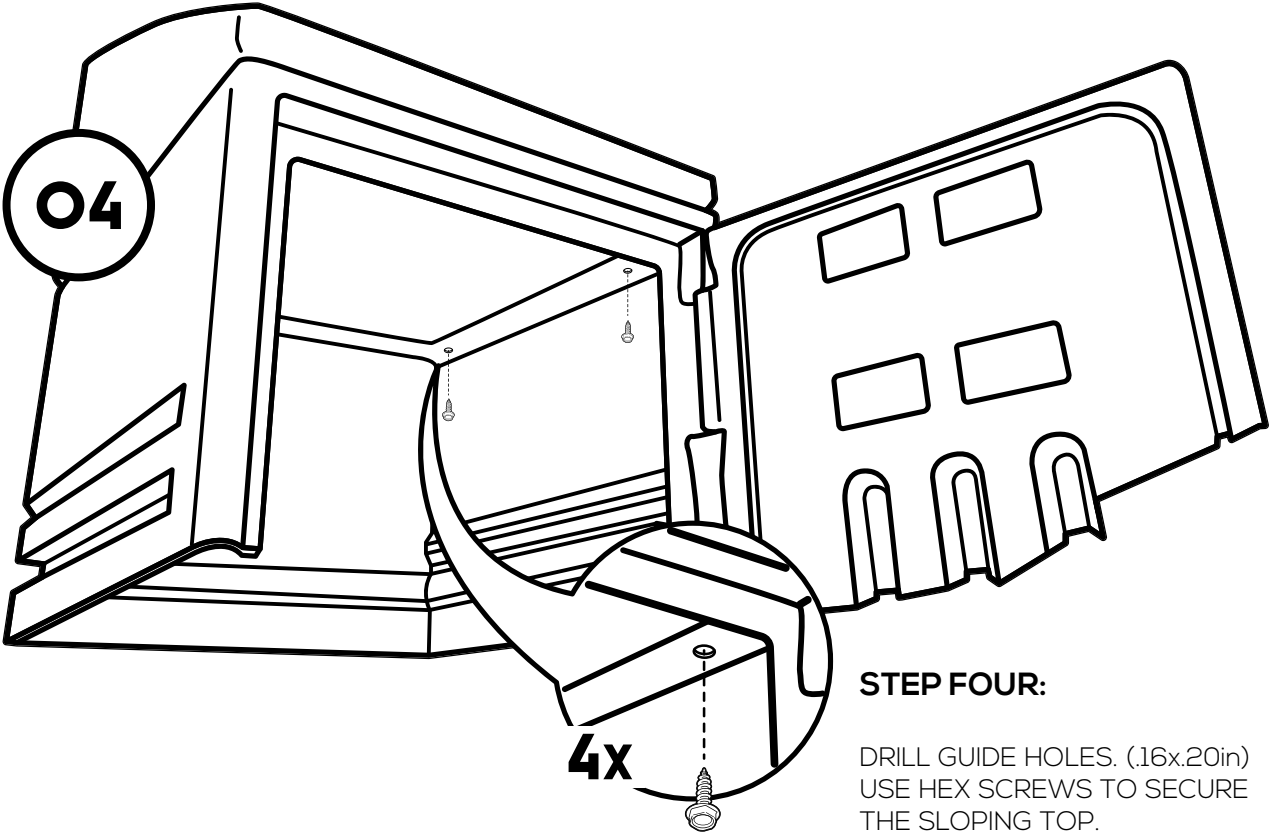
ENSURE THE SLOPING TOP IS FLUSH WITH THE BACK OF THE LOCKER, AND OVER HANG IS EVEN ON BOTH SIDES.



**STEP THREE:**

POSITION THE SLOPING TOP, ON TOP OF THE LOCKER.

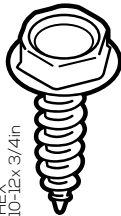
LAY THE LOCKER FLAT IF MORE CONVENIENT.

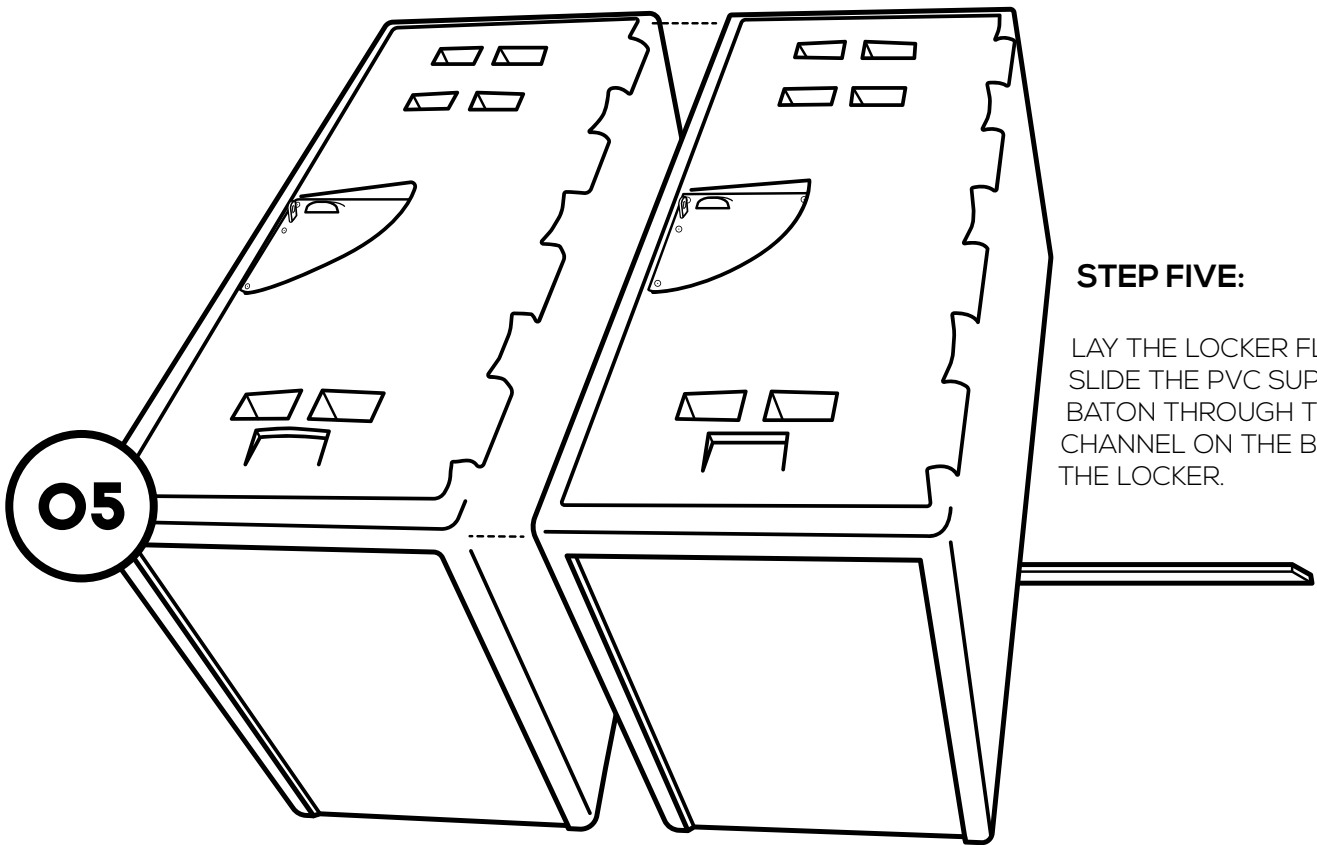


**STEP FOUR:**

DRILL GUIDE HOLES. (.16x.20in)  
USE HEX SCREWS TO SECURE THE SLOPING TOP.

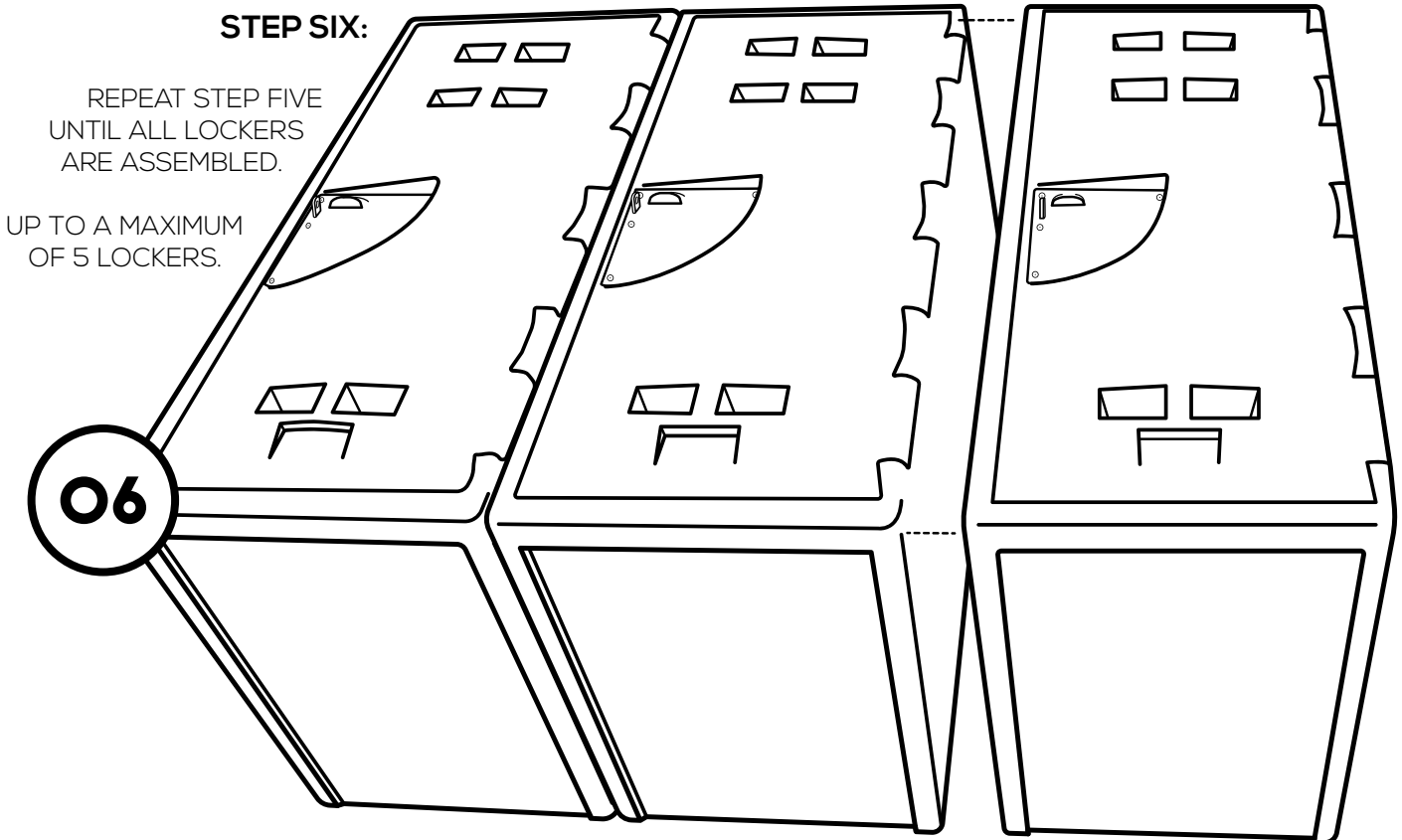
WHEN INSTALLING A LOCKER BANK, THE SLOPING TOP IS ONLY TO BE INSTALLED ON THE TOP OF THE LOCKER.





**STEP FIVE:**

LAY THE LOCKER FLAT AND SLIDE THE PVC SUPPORT BATON THROUGH THE CHANNEL ON THE BACK OF THE LOCKER.



**STEP SIX:**

REPEAT STEP FIVE UNTIL ALL LOCKERS ARE ASSEMBLED.

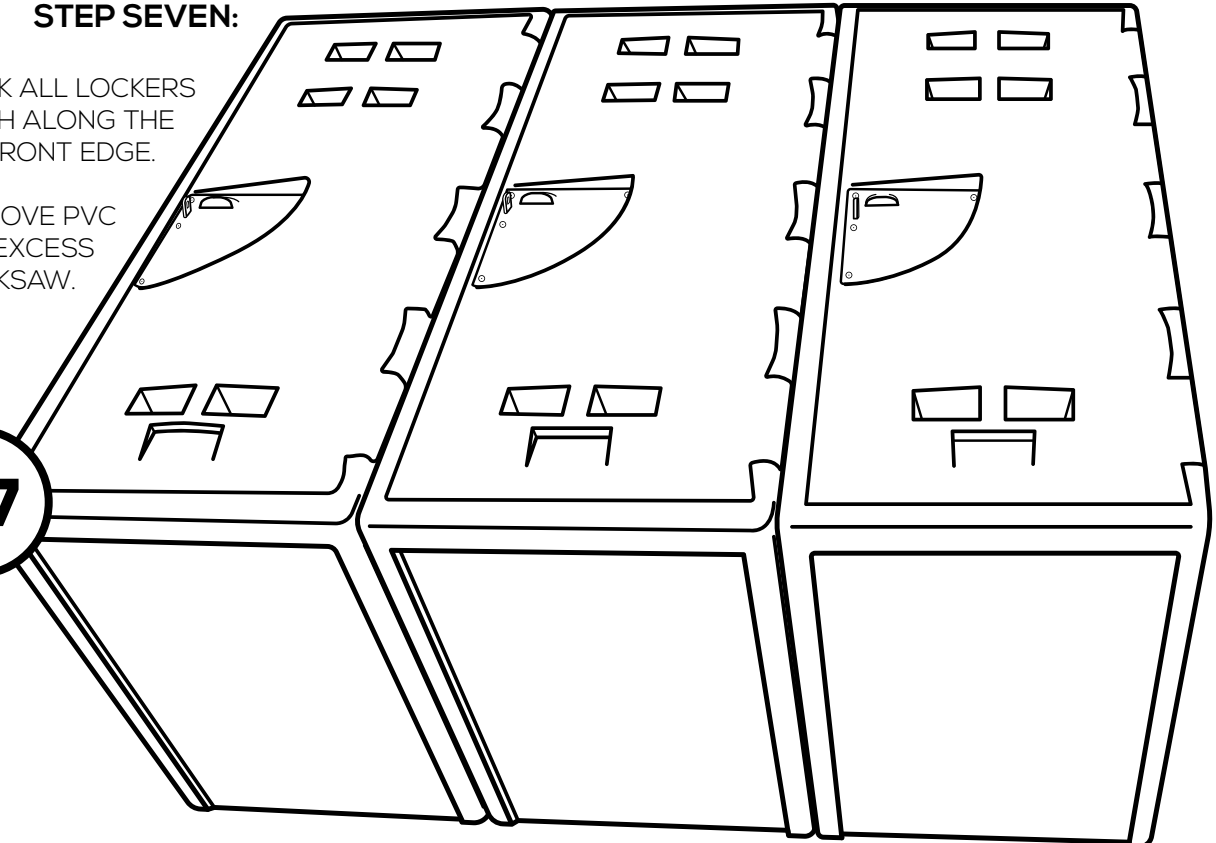
UP TO A MAXIMUM OF 5 LOCKERS.

**STEP SEVEN:**

CHECK ALL LOCKERS  
ARE FLUSH ALONG THE  
FRONT EDGE.

REMOVE PVC  
BATON EXCESS  
WITH A HACKSAW.

**07**



**NOTE:**

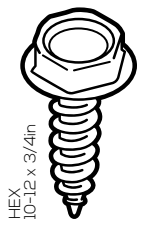
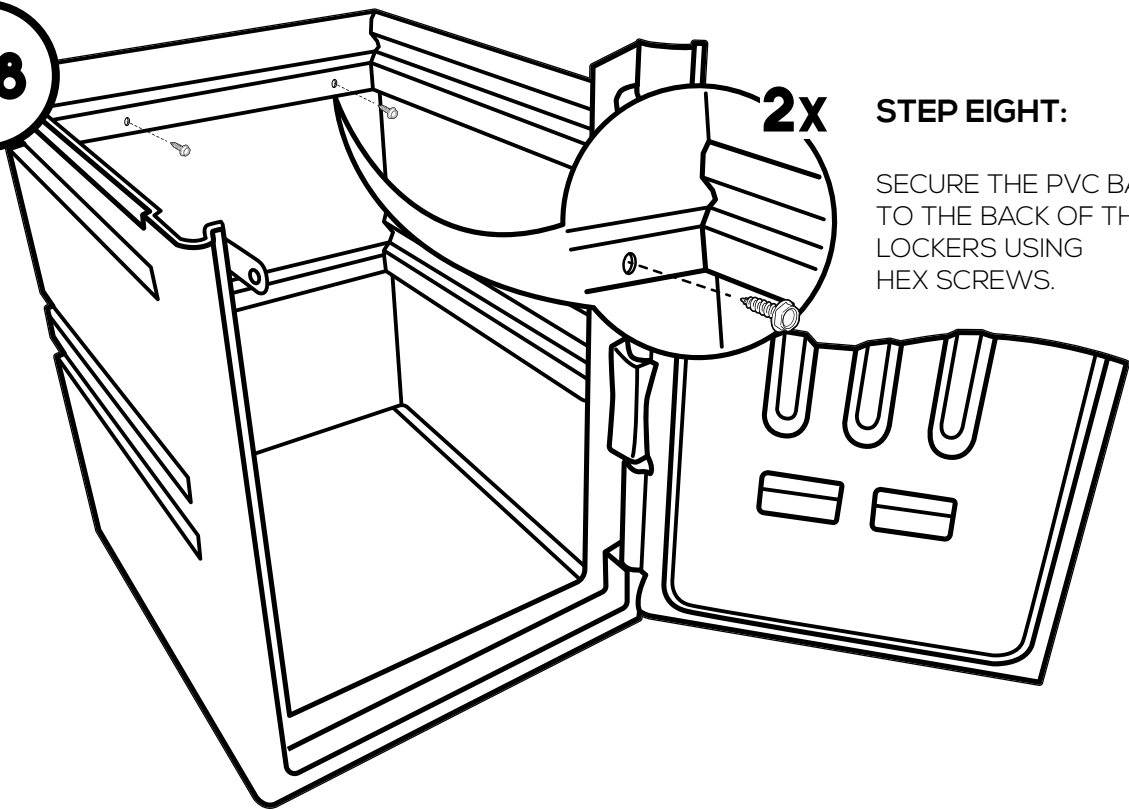
TAKE CARE WHEN MANEUVERING  
JOINED LOCKERS.  
DO NOT ATTEMPT TO MOVE JOINED  
LOCKERS WITHOUT ASSISTANCE.

**08**

**2X**

**STEP EIGHT:**

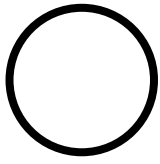
SECURE THE PVC BATON  
TO THE BACK OF THE  
LOCKERS USING  
HEX SCREWS.



HEX  
10-12 x 3/4in

**NOTE:**

DUE TO THE SHAPE OF THE LOCKERS  
SMALL GAPS ALONG THE VERTICAL JOINT AT  
THE BACK OF THE LOCKER BANK  
ARE TO BE EXPECTED.



**STEP NINE:**

ENSURE SLOPING  
TOPS AND KICKER  
BASES HAVE BEEN  
INSTALLED BEFORE  
ASSEMBLING THE  
LOCKER STACK.

STACK LOCKERS  
ON TOP OF ONE  
ANOTHER TO  
CREATE THE LOCKER  
BANK.

REPEAT STEPS 5-8  
IF NEEDED ONCE  
LOCKERS HAVE BEEN  
STACKED.

**NOTE:**

IF SLOPING TOPS AND KICKER BASES  
HAVE BEEN REQUESTED PLEASE REFER  
TO STEPS 1-4 FOR INSTALLATION  
INSTRUCTIONS.

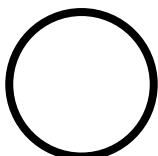


## STEP TEN:

SECURE TOP LOCKERS TO BOTTOM  
LOCKERS USING HEX SCREWS.

SECURE LOCKERS TOGETHER USING  
COUNTER SUNK SCREWS IN TOP, BOTTOM  
AND MIDDLE OF THE DOOR HINGES.

THE AMOUNT OF SCREWS REQUIRED  
WILL VARY BASED ON YOUR LOCKER  
CONFIGURATION.



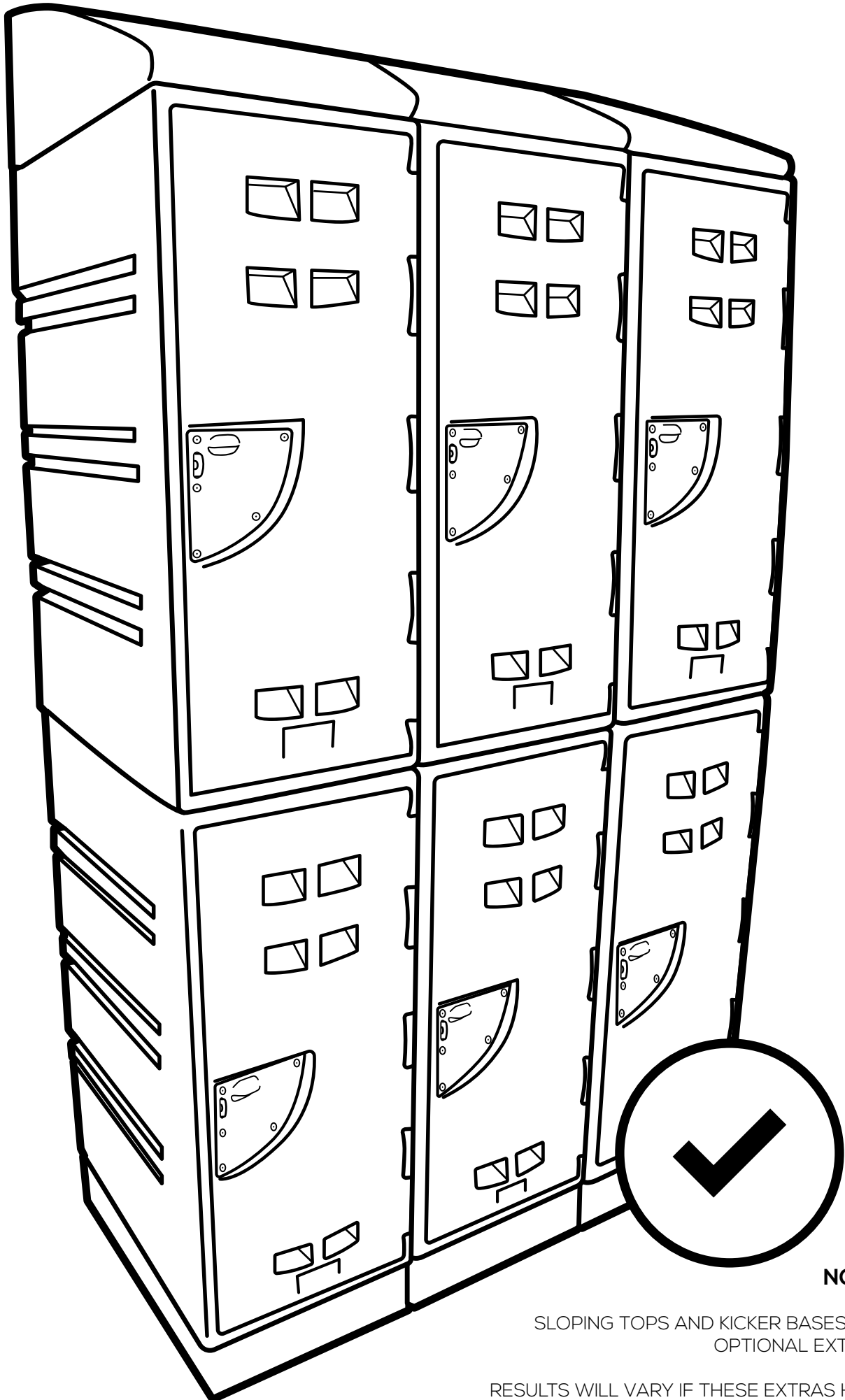
HEX  
10-12 x 3/4in

COUNTER SUNK  
8 - 10 x 1 1/4in

## NOTE:

LARGE LOCKER BANKS  
WILL REQUIRE ASSISTANCE  
FOR ASSEMBLY.

PLEASE DO NOT ATTEMPT  
TO LIFT OR MOVE JOINED  
LOCKERS WITHOUT ASSISTANCE.



**NOTE:**

SLOPING TOPS AND KICKER BASES ARE  
OPTIONAL EXTRAS.

RESULTS WILL VARY IF THESE EXTRAS HAVE  
NOT BEEN REQUESTED.

## **DISCLAIMER:**

Please read all instructions before beginning installation.

These guidelines are provided in good faith to help prevent any problems caused by errors in installation.

The manufacturer of this product shall not be held responsible for installation actions taken or not taken.

There are many details of installation that are assumed to be general construction knowledge to experienced installers; which are not included in these instructions.

These installation guidelines are intended to be strictly recommendations and are not to serve as a step-by-step, fail-safe installation checklist.

Selection of an experienced installer is the sole responsibility of the project owner.

FSP Global Pty. Ltd. does not accept any responsibility for injury, product failure, damage, incorrect product operation, resulting from or associated with improper site conditions and evaluation due to incorrect installation.

## **NOTE:**

Locker configurations may differ based on your specific order requirements.

## **INSTALLATION:**

Ensure lockers are being installed on a flat, level surface.

Installation of locker banks on warped surfaces may cause irreparable damage to locker banks over time.

Items such as the sloping tops, and kicker bases may arrive pre-installed, if so disregard steps 1 - 4.

The installation guide is broken down into 10 simple steps, end results may vary dependent on locker configurations and order specifications.

## **ATTACHING LOCKERS TO WALLS/SURFACES:**

Once the locker bank has been assembled, the onus of affixing the locker bank to any surface is on the business/organisation directly.

FSP does not provide materials or instructions for affixing locker banks to specific surfaces, as requirements will change dependent on the installation site.

Please conduct an adequate risk assessment before affixing a locker bank to your desired surface.

For further questions or queries do not hesitate to contact us directly.

**FSP GLOBAL PRODUCTS PTY LTD.**

**OZ LOKA:**

**AUSTRALIA**

20 OCTAL STREET

YATALA - QLD

4207

1300 735 093

sales@fspaustralia.com.au

**NEW ZEALAND**

1/2 HYNDS ROAD

GREERTON - TAURANGA

3112

0800 377 112

sales@fspnz.net

**COOL LOCKERS:**

**UNITED KINGDOM:**

65 HARP HILL ROAD

CHELTENHAM

GL52 6PR

0808 101 3479

sales@coollockers.co.uk

**AMERICA:**

7612 BLUFF POINT DRIVE

HOUSTON TX

77086

+1 832 808 5251